

<http://www.unidux.co.jp>

()

(1)

19	43,694	11.0	1,264	17.4	1,397
18	39,350	10.3	1,077	41.8	1,216
					809
					657
					23.1
					75.7

19	47.78		5.6		6.1
18	43.46		5.2		6.2
		19	2	18	13
					2.9
					2.7

(2)

19		24,022		15,068	62.7
18		21,522		13,756	63.9
	19	15,068	18		869.26
					846.44

(3)

19		73		17	1,233
18		3,307		584	2,230
					3,040
					1,862

18		15.00	15.00	243	34.5
19		15.00	15.00	260	31.4
20		15.00	15.00		32.1

	21,600	5.7	610	12.6	620
	45,000	3.0	1,400	10.8	1,420
					360
					810
					18.9
					0.1
					20.76
					46.72

(1)

15

(2)

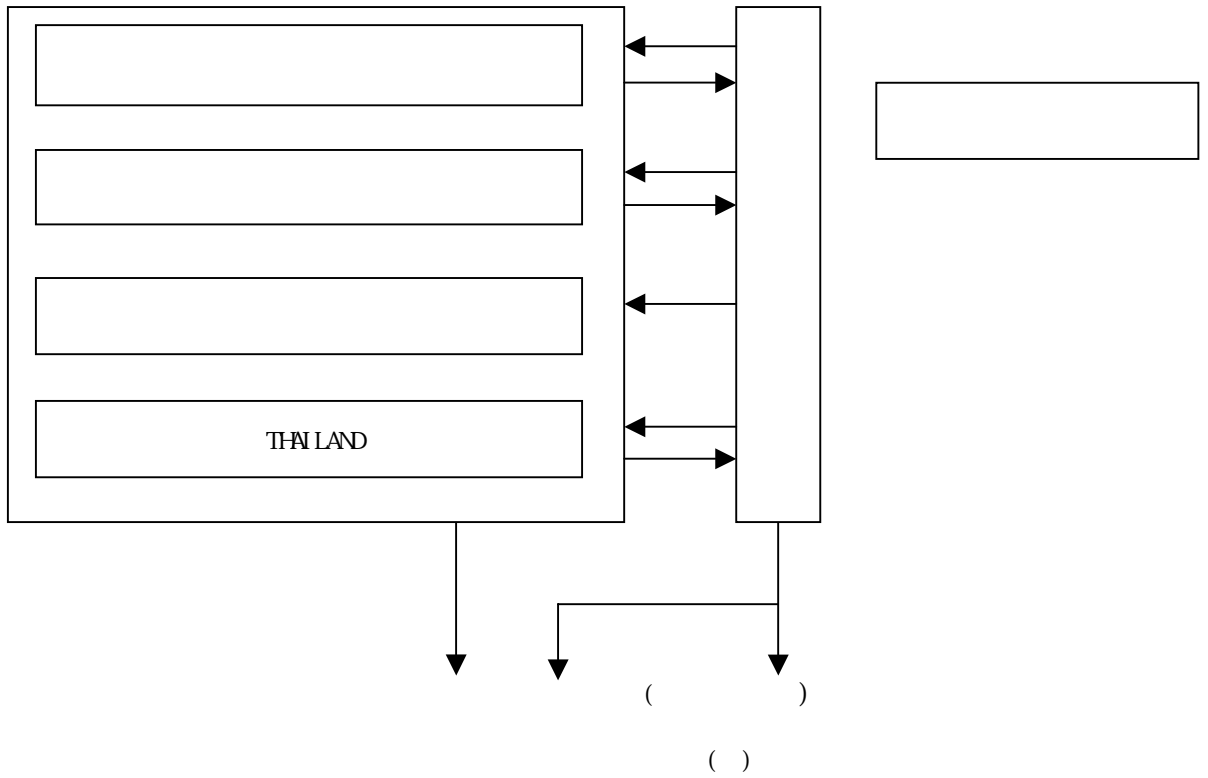
()	19	17,932,595	18	17,932,595
		19	597,447	18	1,680,125
			18		

240 22 38 61 24 99 11
 77 89 53 11 87
 75
 13 12 65
 81
 30 40 63 2 11 77
 73 33 7
 14 1 14 8
 7 50 7 61
 7 30
 17 5 84
 35
 12 33 22 90
 7 7 79

	15	16	17	18	19
	54.8	60.1	65.2	63.9	62.7
	42.4	47.8	56.0	59.9	55.1
	0.5		2.9		
	162.6		44.4		

() ×

- (1) CPU IC IC
- (2)
- (3)
- (4)



18 11 10

<http://www.unidux.co.jp>

<http://www.tse.or.jp/listing/comsearch/index.html>

		18 31			19 31		
			1,862,442			3,040,004	1,177,562
			1,483,485			1,596,279	112,794
			13,975,155			14,613,676	638,520
			2,388,259			3,149,497	761,237
			40,452			48,871	8,418
			196,346			138,770	57,575
			81,365			11,410	69,954
			1,700			3,242	1,541
			20,025,806	93.0		22,595,269	2,569,462
(1)		86,547			86,133		
		66,760	19,787		68,641	17,491	2,295
		97,207			94,093		
		39,385	57,821		34,704	59,389	1,567
		71,433			71,805		
		64,536	6,896		66,284	5,520	1,376
(2)			84,505	0.4		82,401	2,104
			5,330			240	5,090
			13,221			13,221	
			18,551	0.1		13,461	5,090

		18	31		19	31	
(3)							
			838,783			782,175	56,608
			19,385			19,385	
			10,697			9,951	746
			319,436			296,645	22,790
			18,855				18,855
			191,025			226,513	35,488
			39,319			39,584	265
			43,381			42,765	615
			1,394,120	6.5		1,331,488	5.5
			1,497,176	7.0		1,427,350	5.9
			21,522,983	100.0		24,022,620	100.0
			663,687			748,519	84,831
			3,090,703			3,465,918	375,214
			2,700,000			3,400,000	700,000
			58,865			64,535	5,669
			35,155			38,027	2,872
			451,141			266,051	185,089
			173,000			189,000	16,000
			19,288			154,875	135,587
			7,191,843	33.4		8,326,929	34.7

		18 31		19 31		
			573,448		625,997	52,548
			1,000		1,000	
			574,448	2.7	626,997	2.6
			7,766,291	36.1	8,953,926	37.3
			4,800,338	22.3		4,800,338
		5,103,720				
		11,040				
			5,114,760	23.8		5,114,760
		175,364				
		4,420,371				
			4,595,735	21.4		4,595,735
			74,754	0.3		74,754
			828,897	3.9		828,897
			13,756,691	63.9		13,756,691
			21,522,983	100.0		21,522,983

		18 31		19 31			
(1)				5,103,720	4,800,338	20.0	4,800,338
(2)				257,025			
					5,360,745	22.3	5,360,745
(1)				175,364			
(2)				4,986,177			
					5,161,542	21.5	5,161,542
					295,119	1.2	295,119
					15,027,507	62.6	15,027,507
					41,186	0.1	41,186
					41,186	0.1	41,186
					15,068,693	62.7	15,068,693
					24,022,620	100.0	24,022,620

		17 18 31		18 19 31				
			39,350,851	100.0		43,694,029	100.0	4,343,177
		2,095,918			2,388,259			
		35,569,127			40,148,424			
		37,665,045			42,536,683			
		2,388,259	35,276,785	89.7	3,149,497	39,387,186	90.1	4,110,400
			4,074,065	10.3		4,306,843	9.9	232,777
			2,997,011	7.6		3,042,610	7.0	45,599
			1,077,054	2.7		1,264,232	2.9	187,178
		7,128			6,465			
		3,560			1,589			
		5,967			4,738			
		134,320			146,305			
		8,121	159,099	0.4	11,427	170,525	0.4	11,426
		11,583			27,856			
		1,593			1,713			
		3,839			3,912			
					134			
		2,758	19,774	0.0	3,333	36,951	0.1	17,177
			1,216,379	3.1		1,397,806	3.2	181,426
		2,798			4,736			
		536						
		1,344	4,679	0.0		4,736	0.0	57

		17 18 31			18 19 31			
		209	209	0.0	583	583	0.0	374
		595,853	1,220,849	3.1	547,239	1,401,960	3.2	181,110
		32,836	563,016	1.4	45,126	592,366	1.3	29,349
			657,832	1.7		809,593	1.9	151,760
			3,762,538					3,762,538
			4,420,371					4,420,371

		18	19	31				
18	31	4,800,338	5,103,720	11,040	175,364	4,420,371	828,897	13,681,936
	()					243,787		243,787
						809,593		809,593
							1,796	1,796
				245,985			535,574	781,560
				245,985		565,806	533,778	1,345,570
19	31	4,800,338	5,103,720	257,025	175,364	4,986,177	295,119	15,027,507

18	31	74,754	13,756,691
	()		243,787
			809,593
			1,796
			781,560
		33,568	33,568
		33,568	1,312,001
19	31	41,186	15,068,693

() 18

	17 18 31	18 19 31	
	1, 220, 849	1, 401, 960	181, 110
	30, 785	31, 823	1, 037
	1, 838	926	2, 764
		16, 000	16, 000
	52, 821	52, 548	272
	133, 513		133, 513
	10, 689	8, 054	2, 635
	11, 583	27, 856	16, 273
	536		536
	2, 798	4, 736	1, 938
	209	583	374
	4, 135, 902	750, 568	3, 385, 333
	292, 341	761, 237	468, 896
	15, 226	8, 384	6, 842
	509, 171	464, 143	45, 027
	149, 241	174, 416	323, 658
	6, 121	20, 703	14, 582
		5, 626	5, 626
	2, 880, 092	680, 376	3, 560, 468
	12, 680	5, 761	6, 918
	12, 887	29, 151	16, 264
	426, 893	730, 038	303, 144
	3, 307, 193	73, 051	3, 234, 141

	17 18 31	18 19 31	
	888,731		888,731
	879,400		879,400
	26,103	43,094	16,991
	11,026	15,806	4,780
	600,000		600,000
	1,188		1,188
		5,270	5,270
	38,856	35,062	3,793
	143	14,942	14,799
	584,220	17,446	601,667
	1,000,000	700,000	300,000
	1,113	1,796	682
	1,491,000	779,846	711,153
	199,377	244,881	45,504
	2,290,508	1,233,167	1,057,340
()	1,600,905	1,177,562	2,778,468
	3,463,347	1,862,442	1,600,905
	1,862,442	3,040,004	1,177,562

		19	
			4 986 177
		260 027	260 027
			4 726 150

18 29

17 18	31	18 19	31
		<hr/>	
14			
15 10 31			
<hr/>			
			17 12
			17 12
			15 068 693

18 31	19 31
27,300,000	<u> </u>
17,932,595	
1,680,125	<u> </u>
604,699	520,124
2,761 USS 23 (2,761)	<u> </u>
<u> </u>	173,475 175,928
124	<u> </u>
12,439	

17 18	31	18 19	31
	1,308,867		1,346,025
	265,540		261,270
	229,281		238,925
	173,000		189,000
	150,965		151,443
	2,798		4,736
	<u>2,798</u>		<u>4,736</u>
	161		331
	47		251
	<u>209</u>		<u>583</u>

18 19 31

	17,932			17,932
	17,932			17,932
()	1,680	2	1,085	597
	1,680	2	1,085	597

()

1,085

(1)

			()		
18	29		243	15	18 31
					18 29

(2)

				()	
19	28		260	15	19 31
					19 29

17 18	31	18 19	31
	18		19
	31		31
	1,862,442		3,040,004
	<u>1,862,442</u>		<u>3,040,004</u>

17 18	31	18 19	31
	19,385		19,385
	326,272		352,192
	13,406		2,947

17 18	31	18 19	31
	846 44		869 26
	43 46		47 78

	17 18	31	18 19	31
		657,832		809,593
		657,832		809,593
		15,135,004		16,944,078

	17 18		1 31		18 19		1 31	
		()		()		()		()
	22,588,324		122.1		24,144,719		106.9	
	5,544,220		96.8		6,471,875		116.7	
	4,122,906		116.7		5,146,840		124.8	
	3,313,676		81.8		4,384,987		132.3	
	35,569,127		111.8		40,148,424		112.9	

	17 18				1 31				18 19				1 31			
		()		()		()		()		()		()		()		
	24,245,589	121.6	1,996,598	105.3	27,880,194	115.0	4,114,914	206.1								
	7,171,394	100.5	1,142,319	136.1	7,591,239	105.9	1,102,312	96.5								
	4,884,609	123.0	644,079	158.8	6,060,554	124.1	761,467	118.2								
	3,689,023	82.9	74,946	97.5	4,370,737	118.5	87,947	117.3								
	39,990,616	112.7	3,857,944	119.9	45,902,725	114.8	6,066,641	157.3								

	17	1	18	1
	18	31	19	31
		()		()
	24,145,167	120.2	25,761,878	106.7
	6,868,686	95.9	7,631,247	111.1
	4,646,019	117.0	5,943,166	127.9
	3,690,977	82.8	4,357,737	118.1
	39,350,851	110.3	43,694,029	111.0

		()		()
		3,337,663	96.1	2,632,827
	116,983	3.4	36,866	1.4
	18,232	0.5	23,272	0.9
	644	0.0	60	0.0
	3,473,533 (8.8%)	100.0	2,693,026 (6.2%)	100.0

		()		()
		7,258,471	18.4	11,403,820